

Model 260TSB

Submersible Level Transmitter

INDUSTRIAL TRANSMITTERS



Model 260TSB

Applications

- Tanks
- Vessels
- Basins
- Waste Water
- Rivers and Lakes
- Salt Water

Features

- Ranges from 0-40 in. H₂O thru 0 to 300 psi
- 4-20mA and 0-10Vdc Standard Industrial Output Signals
- Zero Point adjustment can be made using permanent magnet
- 4:1 Turndown with optional programming tool
- PUR-cable has integral capillary tube for relative pressure balancing (includes GORE-TEX® filter)
- Stainless steel wetted parts with plastic cap (316L available)
- 316L stainless steel body
- Protection Class IP68 / NEMA 6P

The **TRERICE 260TSB** "Submersible Transmitter" provides level measurement of tanks, basins and cisterns. By use of the optional programming tool this transmitter provides 4 to 1 turn down, adjustable zero-point & span, allowing for multiple units of measure.

The stainless steel/thin-film sensor element of the 260TSB is directly welded to the process connection so no seals are required, this insures a high degree of reliability and stability. Stainless steel wetted parts provide long-term durability even in the harshest environments.

Specifications

Models	260TSB • Submersible Level Transmitter		
Sensor Element	Oil filled, Silicone Membrane		
Process Connection	Direct Submersion No Process Attachment		
Materials of Construction			
Housing:	316L stainless steel		
Wetted Parts:	316L stainless steel, Plastic Sensor Cover (316L Cover Optional) Polyurethane (PUR) Cable		
Pressure Transmission Liquid	Silicone Oil		
Accuracy at 77° F (25°C)	BFSL	Full Scale	
	Non-Linearity:	0.35%	0.50%
	Hysteresis:	0.15%	0.30%
	Repeatability:	0.10%	0.10%
Operating Temperature Ranges			
Medium:	+14/+158°F (-10/+70°C)		
Ambient:	+14/+158°F (-10/+70°C)		
Temperature Error Band			
Temperature compensated to within 1% between 14°F to 158°F (-10 to +70°C)			
Humidity	Fully Submersible		
Electronic Connection			
PUR (Polyurethane) Cable, PUR Cable-Heavy Duty FEP (Fluorinated-Ethylene-Propylene) Cable			
Output Signal			
4-20mA (2 wire) and 0-10Vdc (3 wire)			
Overpressure Limit			
Ranges ≤ 3 psi at least:	2.5 x FS		
burst pressure at least:	6 x FS		
5-300 psi at least:	1.5 x FS		
burst pressure at least:	2.9 x FS		
Response Time (10-90%)	< 4 ms		
Power Supply			
Output Signal:	Minimum	Maximum	Recommended
4-20mA:	10Vdc	32Vdc	24Vdc
0-10Vdc:	12Vdc	32Vdc	24Vdc
Load Resistance	4-20mA:	≤ $\frac{V_{SUPPLY} - 10 \text{ Vdc}}{0.02 \text{ A}}$	
	0-10 Vdc:	> 5 kOhm	
Circuit Protection			
Protected against reverse polarity and short circuits			
CE Conformity RoHS2 Directive 2011/65/EU EMC Directive: 2014/30/EU - PED Directive: 2014/68/EU Applied standards: EN 61326-1:2013, EN 61326-2-3:2013			
Ingress Protection Rating	IP68 / NEMA 6P		
Approximate Shipping Weight	0.5 lbs (0.23kg)		

HOW TO ORDER

Sample Order Number: **260TSB C U 0/300 E4 100 3**

Model	Accuracy	Units of Measure	Range Code	Electrical Connection	Cable Length	Output Signal
260TSB	C 0.5% FS (0.35% BFSL)	U in H ₂ O A psi	See Standard Ranges	E4 PUR Cable	Specify Length in Feet (ie., 600 ft. max)	3 4-20mA (2-wire)
				E5 PUR Cable-Heavy Duty		2 0-10 Vdc (3-wire)
				E6 FEP Cable		

Multiple electrical connections, output signals and process connections are available. Please consult factory.

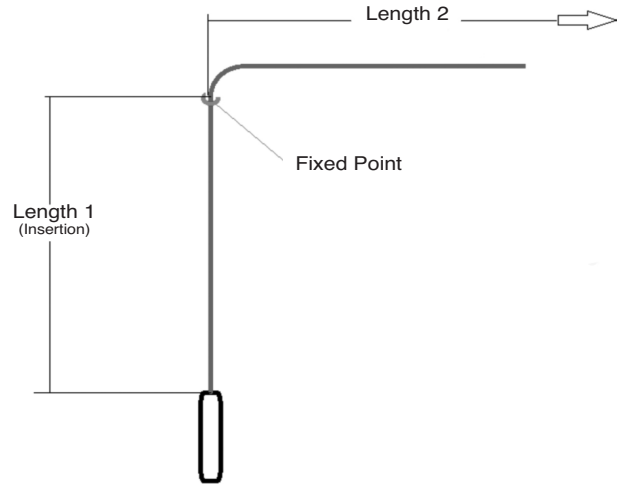
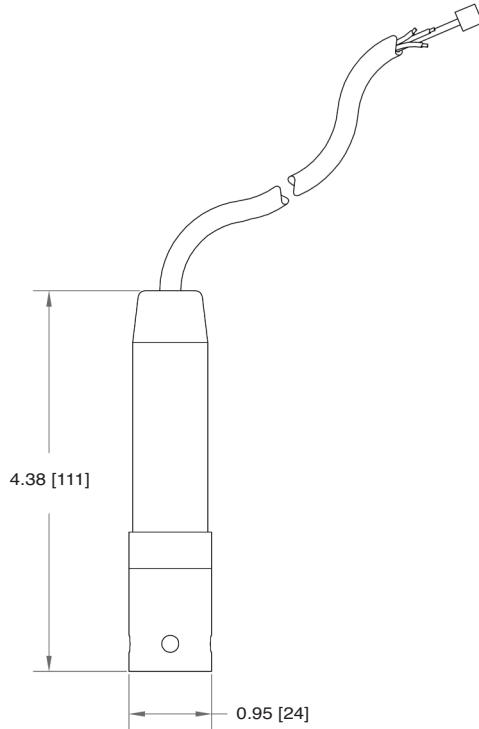


Model 260TSB

Submersible Level Transmitter

INDUSTRIAL TRANSMITTERS

All dimensions are nominal.
Dimensions in [] are in millimeters.



Maximum Cable Lengths

Code	Cable Material	Max. Cable (length 1)	Max. Cable (length 2)
E4	PUR (Polyurethane)	65 feet (20 m)	535 feet (165 m)
E5	PUR (Polyurethane) Heavy Duty	130 feet (40 m)	470 feet (145 m)
E6	FEP (Flourinated-Ethylene-Propylene)	100 feet (30 m)	500 feet (150 m)

Standard Ranges

in. H ₂ O Ranges (U)			
Range Code	Specific Range	Overpressure Limit	Burst Pressure
0/40	0 to 40 in. H ₂ O	100 in. H ₂ O	240 in. H ₂ O
0/60	0 to 60 in. H ₂ O	150 in. H ₂ O	360 in. H ₂ O
0/100	0 to 100 in. H ₂ O	250 in. H ₂ O	600 in. H ₂ O
0/160	0 to 160 in. H ₂ O	400 in. H ₂ O	960 in. H ₂ O
0/200	0 to 200 in. H ₂ O	500 in. H ₂ O	1200 in. H ₂ O
0/300	0 to 300 in. H ₂ O	750 in. H ₂ O	1800 in. H ₂ O

psi Ranges (A)			
Range Code	Specific Range	Overpressure Limit	Burst Pressure
0/3	0 to 3 psi	8 psi	18 psi
0/5	0 to 5 psi	10 psi	21 psi
0/10	0 to 10 psi	21 psi	31 psi
0/15	0 to 15 psi	30 psi	60 psi
0/30	0 to 30 psi	45 psi	87 psi
0/60	0 to 60 psi	90 psi	174 psi
0/100	0 to 100 psi	150 psi	290 psi
0/160	0 to 160 psi	240 psi	464 psi
0/200	0 to 200 psi	300 psi	580 psi
0/300	0 to 300 psi	450 psi	870 psi

Actual working pressures should never exceed the maximum process connection rating. "Overpressure Limits" and "Burst Pressures" shown refer to the sensor and body of the transmitter and are for reference purposes only.