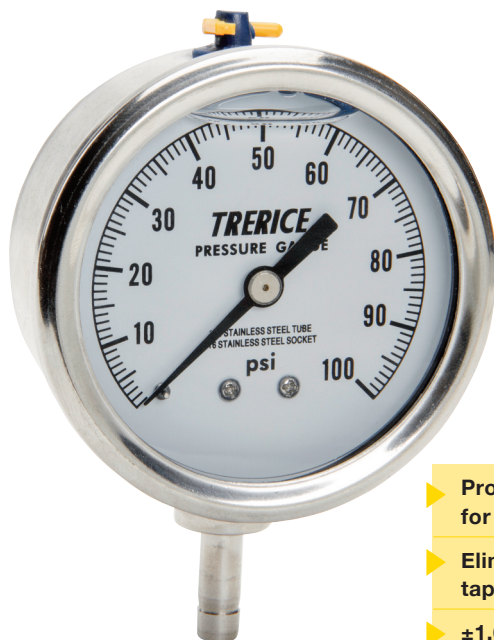


D87 Series

Tube Stub Connection • Liquid Filled or Dry • Stainless Steel Case

INDUSTRIAL GAUGES



D87LFSS shown

- ▶ Provides 360° gauge orientation for easier viewing
- ▶ Eliminates the need for PTFE tape or other sealants
- ▶ ±1.6% Accuracy
- ▶ Stainless Steel Case
- ▶ Glycerine Fill Standard

The Trerice **D87 Series** Industrial Gauge is provided with a Tube Stub connection which allows for 360° orientation of the gauge for better viewing and also eliminates the need for PTFE tape or other sealing materials. All welded design through to the bourdon tube insures robust construction and eliminates potential leakage due to mechanical connections. Available connection sizes include 1/4" and 3/8". In addition the D87 Series features a rugged stainless steel case and crimped ring. Wetted parts are also stainless steel. The gauge comes standard glycerin filled to help reduce pointed flutter and lubricate the movement. For higher temperature applications a dry version (model D87SS) is available.

- Optional features and case style variations available: Please consult the Options & Accessories Section for details.
- For correct use and application of all pressure gauges, please refer to: Pressure Gauge Standard ASME B40.100.

Specifications

Models	Wetted Parts	
D87LFSS	(liquid filled)	tube & socket
D87SS	(dry)	316 Stainless steel
Dial Size	2 1/2"	
Fill	Glycerine, other fills available See Optional Features Section	
Movement	316 Stainless steel	
Connection	1/4" or 3/8" Tube Stub, lower mount	
Case	304 stainless steel, stem-mounted flangeless	
Ring	Crimped 304 stainless steel	
Window	Acrylic	
Pointer	Plain, black finished	
Dial Face	Aluminum, white background with black graduations and markings	
Accuracy	±1.6% Full Scale	
Maximum Temperature	D87LFSS (liquid filled): 150°F (065°C) D87SS (dry): 250°F (121°C)	
Approximate Shipping Weight	0.5 lbs [0.23 kg]	

HOW TO ORDER

Sample Order Number: **D87LFSS 25 02TS L A 110**

Model	Dial Size	Connection Size	Connection Location	Units of Measure	Range Code
D87LFSS D87SS	25 2 1/2"	02TS 1/4" Tube-Stub 03TS 3/8" Tube-Stub	L Lower B Back	A psi D psi/kPa	See Standard Ranges

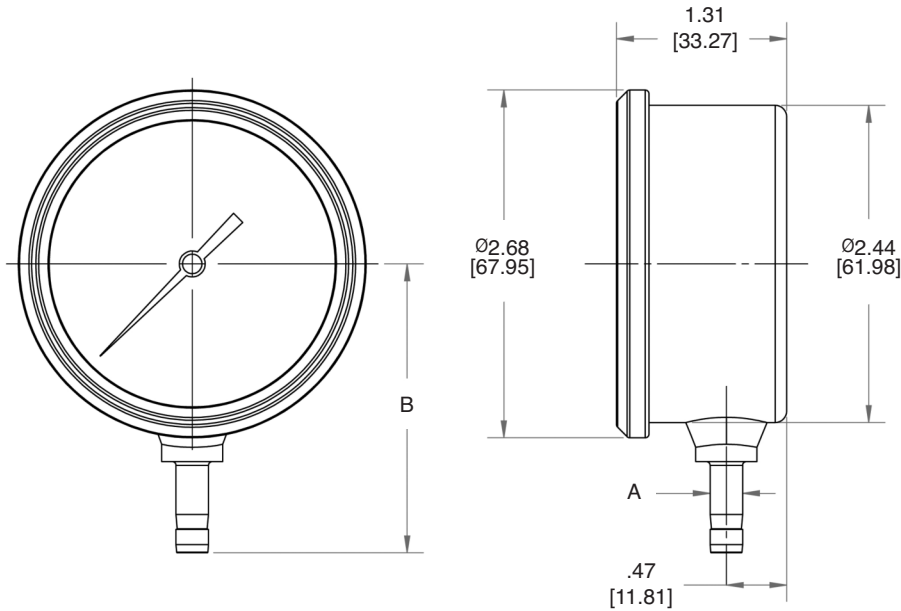


D87 Series

Tube Stub Connection • Liquid Filled or Dry • Stainless Steel Case

INDUSTRIAL GAUGES

All dimensions are nominal. Dimensions in [] are in millimeters.



TUBE STUB SIZE	A	B
1/4"	.250" [13.85]	2.22" [56.44]
3/8"	.375" [9.53]	2.33" [59.26]

Standard Ranges

psi Ranges (A)			
Range Code	Specific Range (psi)	Figure Intervals	Minor Divisions
010	30" Hg to 0	5	0.5
020	30" Hg to 15 psi	10/5	1/0.5
030	30" Hg to 30 psi	10/5	1/1
040	30" Hg to 60 psi	10/10	2/1
050	30" Hg to 100 psi	30/20	2/2
060	30" Hg to 150 psi	30/30	5/2
070	30" Hg to 300 psi	30/50	5/5
075	30" Hg to 400 psi	30/50	10/5
080	0 to 15 psi	3	0.2
090	0 to 30 psi	5	0.5
100	0 to 60 psi	10	1
110	0 to 100 psi	10	1

(Continued)

psi Ranges (A)			
Range Code	Specific Range (psi)	Figure Intervals	Minor Divisions
100	0 to 60 psi	10	1
110	0 to 100 psi	10	1
120	0 to 160 psi	20	2
130	0 to 200 psi	20	2
140	0 to 300 psi	50	5
150	0 to 400 psi	50	5
160	0 to 600 psi	100	10
180	0 to 1000 psi	100	20
190	0 to 1500 psi	300	20
200	0 to 2000 psi	200	20
210	0 to 3000 psi	500	50

For dual scale ranges specify the appropriate **Units of Measure: D** (psi/kPa) followed by the corresponding **A** (psi) **Range Code**

